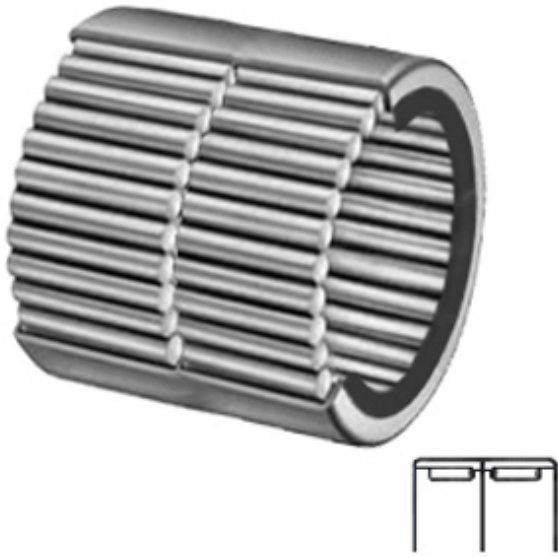




DAGHLFORGE OF AMERICA CORP.



2.75 Inch | 69.85 Millimeter x 3.5 Inch | 88.9 Millimeter x 1.75 Inch | 44.45 Millimeter McGill
GR 44 SRS Needle Roller Bearings

Bearing No. GR 44 SRS

| | |
|---------------------------|---|
| Category | Needle Non Thrust Roller Bearings |
| Inventory | 0.0 |
| Manufacturer Name | REGAL BELOIT |
| Minimum Buy Quantity | N/A |
| Weight | 0.645 |
| EAN | 0726166062811 |
| Product Group | B04144 |
| Rolling Element | Needle Roller Bearing |
| Component | Roller Assembly with Outer Ring - No Inner Ring |
| Enclosure | 2 Seals |
| Self Aligning | No |
| Retainer | No |
| Number of Rows of Rollers | Double Row |
| Separable | No |
| Closed End | No |
| Inch - Metric | Inch |
| Relubricatable | Yes |
| Thrust Bearing | No |
| Long Description | 2-3/4" Bore; 3-1/2" Outside Diameter; 1-3/4" Width; Needle Roller Bearing; Roller Assembly with Outer Ring - No Inner Ring; 2 Seals Enclosure; No Self Aligning; No Retainer; |

GR 44 SRS Bearing 2D drawings and 3D CAD models



DAGHLFORGE OF AMERICA CORP.

| | Double Row |
|------------------------------|---|
| Other Features | 1 Rib Outer Ring Full Complement Heavy Duty Oil Hole |
| Category | Needle Non Thrust Roller Bearing |
| UNSPSC | 31171512 |
| Harmonized Tariff Code | 8482.40.00.00 |
| Noun | Bearing |
| Keyword String | Needle |
| Manufacturer URL | http://www.emerson-ept.com |
| Manufacturer Item Number | GR-44-SRS |
| Manufacturer Internal Number | 5004420000 |
| Weight / LBS | 1.42 |
| D | 3.5 Inch 88.9 Millimeter |
| B | 1.75 Inch 44.45 Millimeter |
| d | 2.75 Inch 69.85 Millimeter |